

Specifications

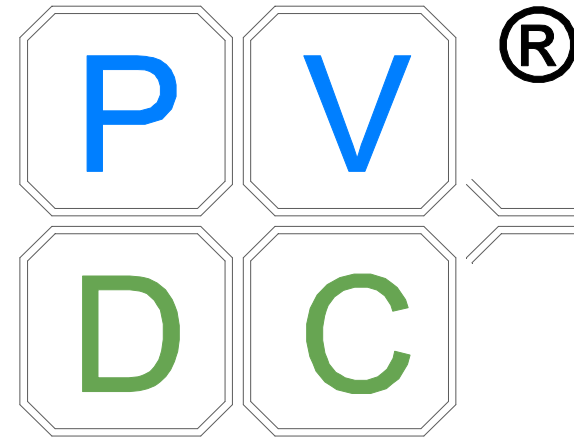
Description	PV+ Grid Voltage Monitor
Input (Volts)	Nominal input voltage 240v, 50Hz, Single Phase AC
Max Load	4kW
Dimensions	254mm x 165mm x 82 (98)mm
Weight	Approximately 3.0 kg
Operating Temperature	-5°C to +40°C
Terminal Capacity	Incoming Live = 10.0mm ² Outgoing Live = 6.0mm ² Incoming Neutral = 10.0mm ² Outgoing Neutral = 6.0mm ²
Enclosure	Mild Steel Powder Coated
Ingress Protection	IP20
Cable Entry Facility	Bottom – 2 x 20mm Diameter
Document Revision	V1.8 Sept 2016

Warranty

The PV+ Grid Monitor Unit is guaranteed for a period of 5 years from the date of manufacture.

This warranty is limited to the replacement of faulty components only.

matt:e Ltd, 1C Neander, Lichfield Road Ind Est, Tamworth B79 7XA



PV+ Grid Voltage Monitor Unit

Installation Manual

V1.8 Sept 2016

Contents

Product Description	3
Warning Notice	3
Safety Advice	3
Introduction	4
Typical Installation Diagram	4
Dimensions & Mounting the unit	5
Electrical Connections	6
Specifications	7
Warranty	7

PRODUCT ADVISORY NOTICE

This product must be installed by a competent person in accordance with the IEE Wiring Regulations, BS7671 (17th Edition or later) and current Building Regulations.

Ensure the electrical supply is disconnected before installation or removing the cover of the PV+ unit.

On completion of installation the tightness of all electrical connections should be checked before energising the unit.

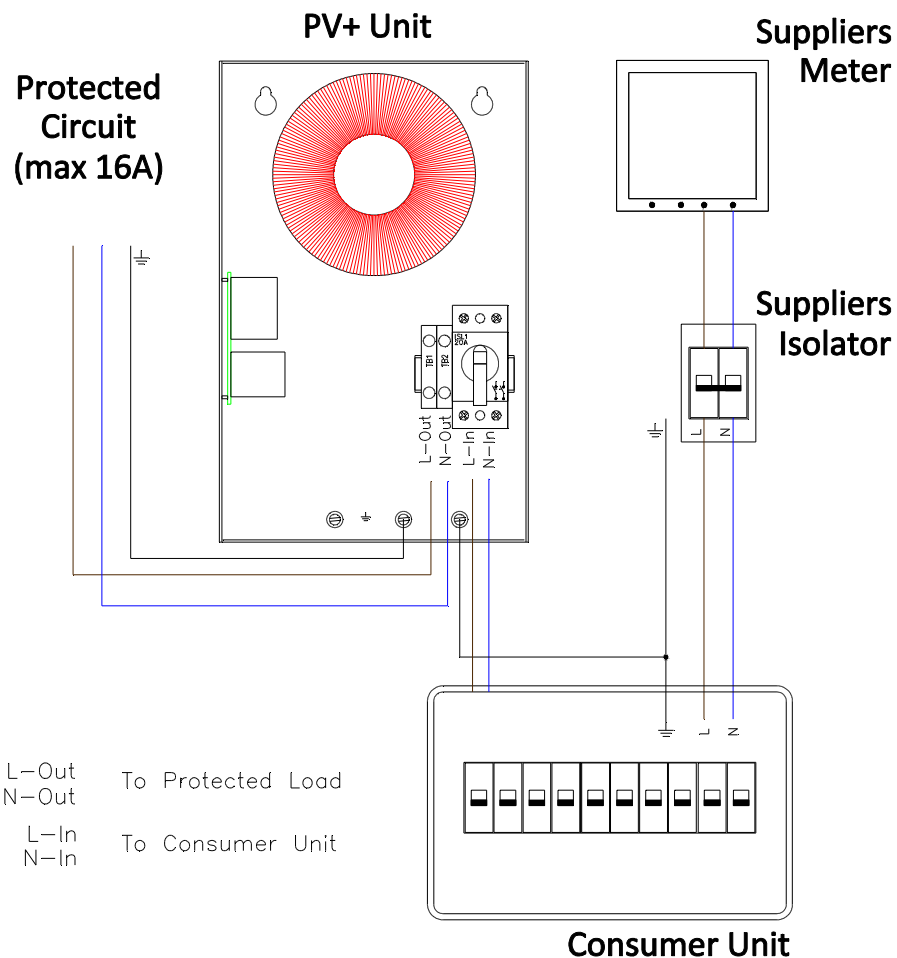
Operating Instructions

Once energised the unit will monitor the incoming voltage for 5 minutes to establish it is stable and below the operational threshold of 253V. At the end of this period the internal relay will energise and connect the load to the incoming supply.

In the event the PV+ detects a supply voltage greater than 253V the internal relay will de-energise and disconnect the load from the supply. The relay will remain de-energised until the PV+ detects the incoming voltage has dropped below the threshold voltage and remained there for 5 minutes.

Electrical Connections

The user wiring connections are indicated in the diagram below.



Connect the incoming (live) cable from the consumer unit 16A MCB or RCBO to the isolator, L-In & N-In. Connect the outgoing cable to the L-Out & N-Out terminals.

Product Description

The **matt:e** PV+ Grid Voltage Monitor is designed for use in domestic and light commercial / retail applications where the incoming supply voltage is greater than 240v.

The unit is not intended for any purpose other than that defined within this document.

WARNINGS

Please read and observe the following notices carefully. These warnings must be observed when installing and operating the PV+ unit.

All relevant supplies must be isolated or disconnected before commencing any work.

This product must be installed by a competent person in accordance with the IEE Wiring Regulations, BS7671 (17th Edition or later) and any relevant Building Regulations.



Once installed, the unit has a Live Mains Supply (230v or higher) within the enclosure. The cover must not be removed until the supply to the unit has been isolated or disconnected.

Safety Advice

The unit must be installed in a dry ventilated location; it must never be covered or have restricted ventilation.

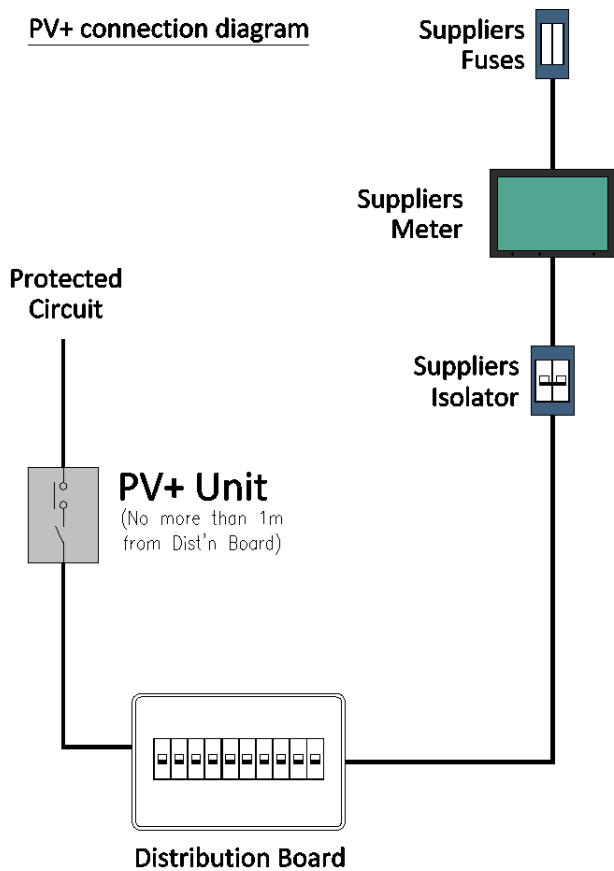
The PV+ unit is rated for a maximum 16A.

For any information not contained within this document, please contact our technical support team on 01827 61231.

Introduction

The **matt:e** PV+ unit is a single phase Grid Voltage Monitor designed to protect sensitive electronic equipment. The PV+ unit monitors the incoming supply voltage and maintains connection until the grid voltage reaches or exceeds the 253v statutory limit.

Rated at 16A, the unit is suitable for loads up to 4kW.



The unit is designed to be installed between the load and the consumer unit. **The cable from the PV+ unit to the consumer unit should no more than 1m in length.**

The installation location should be clean, dry and well ventilated.

Please refer to the diagrams below for the dimensions and mounting arrangements of the unit.

