

PV+

Grid Voltage Monitor Unit



matt:e Ltd is pleased to announce the latest development in its range of PVDC connection units the **PV+**

Why do I need one?

According to a recent report carried out by Western Power Distribution over 50% of our homes and businesses are supplied at a voltage above 243.8V, with nearly 7% of these being supplied with a voltage above 248.8V!

Although this falls well within the allowed supply voltages of 207/253V it can lead to loss of generation from your PV system. Reducing precious free generated energy and potentially extending the return on your investment.



How does the PV+ help?

Solar PV systems have to increase the supplied voltage, by typically 4 volts, to be able to push the generated energy around your property and if not used back onto the national grid. The increase in voltage and losses in wiring circuits can cause inverters to prematurely shut down on over voltage settings

By monitoring the incoming supply voltage the PV+ unit allows the PV inverter to compliantly stay in circuit longer, preventing nuisance over voltage shut down and increasing PV generation.

Furthermore like all electrical appliances manufactured for Europe and the UK, Solar PV inverters are designed to operate at 230V. Running inverters closer to their designed voltage will help prevent over heating of the appliance

Product features

- BS7671 : 2008 Amendment 3 Compliant non combustible metal Enclosure*
- matt:e type tested software
- Lockable mains AC isolator
- Designed and built solely in the UK

*Due to the number of consumer unit fires reported within domestic properties regulation 421.1.201 has been added to BS 7671: 2008, which requires consumer units and similar switchgear to have their enclosures manufactured from non combustible material or to be enclosed in a cabinet constructed from non combustible material.

...Simplifying PV connection

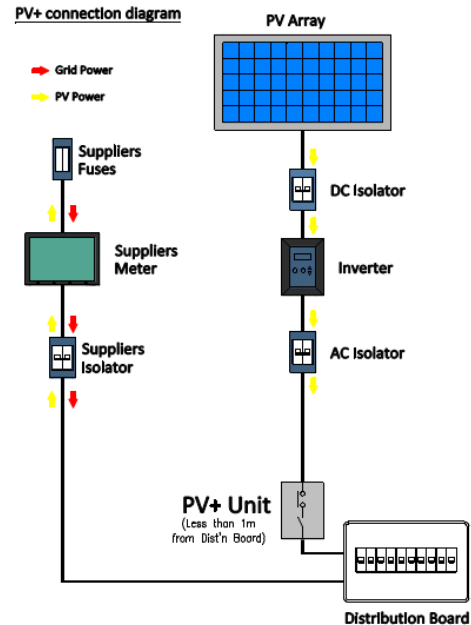
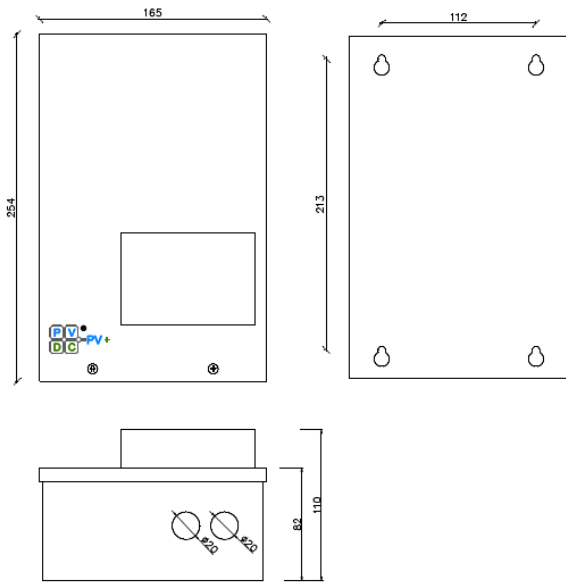


www.matt-e.co.uk

T: 01827 61231

info@matt-e.co.uk





Dimensions and Specifications

Description	PV+ Grid Voltage Monitor Unit
Input Volts	Single Phase 230V , 50Hz
Max Load	3.68kW
Operating Temperature	-5°C to +40°C
Dimensions	254mm x 165mm x82 (110)mm
Weight	Approximately 3.0kG
Enclosure	Mild Steel Powder Coated
Ingress Protection	IP20
Warranty	The matt:e PV+ Grid Voltage Monitor Unit is guaranteed for a period of 5 years from the date of purchase. This warranty is limited to the replacement of faulty components only.