

# SP-EVCP-T

## Single-phase Voltage Monitoring and Protection Unit

### Are you installing electric vehicle charge points onto single-phase PME infrastructures?

The **SP-EVCP-T** from matt:e is a simple, single connection unit, which allows for the connection of 1 x 32amp single phase charge point to the existing PME earthing facility.

The unit incorporates our own unique monitoring device which disconnects all poles including CPC in the event of a fault.

The matt:e **SP-EVCP-T** technology does not require earth rods or measuring electrodes to function correctly.

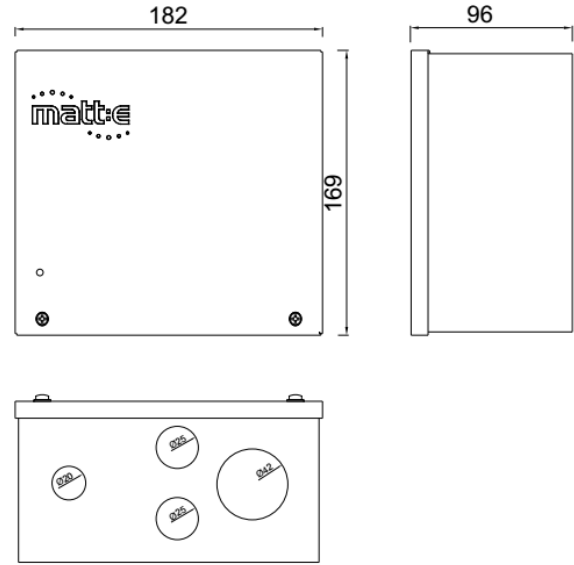
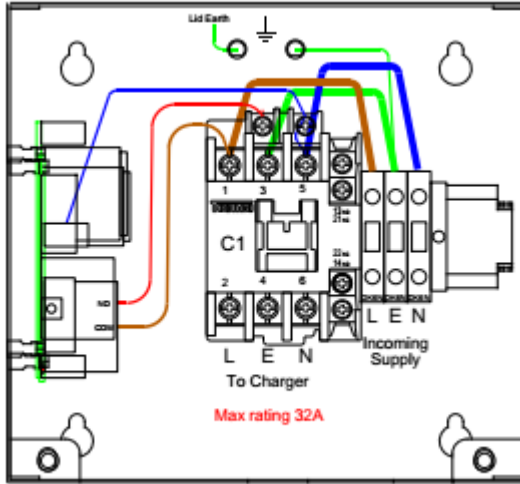


\*UNIT ALSO AVAILABLE IN WHITE

#### Product Features

- Built in matt:e technology
- BS 7671 2018 Amendment 1 2020 compliant
- NO EARTH ELECTRODES REQUIRED
- Suitable for 1 x 32amp load
- Standard 3 Year parts warranty
- Simple wire in wire out connection
- Standard mild steel IP2X enclosure
- Designed and Built in the UK

...Simplifying EV connection



Description	Single-phase Voltage Monitoring and Protection Unit
Input Volts	Nominal input voltage single-phase 230V 50Hz
Max Load	32 amps
Cable Entry Facility	Bottom, 1 x 42mm 2 x 25mm 1 x 16mm
Terminal Capacity	6.0mm <sup>2</sup>
Dimensions ( H x W x D )	169mm x 182mm x 111mm
Weight	Approximately 3kG
Enclosure	Mild Steel Powder Coated
Ingress Protection	IP2X
Warranty	The matt:e <i>SP-EVCP-T</i> is guaranteed for a period of 3 years from the date of purchase. This warranty is limited to the replacement of faulty components only.

...Simplifying EV connection