

SP-EVCP-B

Single-phase Voltage Monitor Protection Unit with Type B RCD

Are you installing electric vehicle charge points onto single-phase PME infrastructures?

The **SP-EVCP-B** from matt:e is a simple single connection unit, that allows for the connection of 1 x 32amp single-phase charge point to the existing PME earthing facility.

The unit incorporates our own unique monitoring device which disconnects all poles including CPC in the event of a fault and a built in double pole Type B RCD and 32amp MCB.

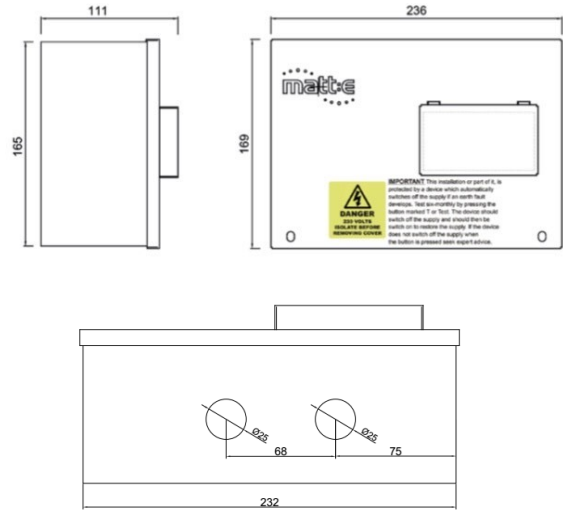
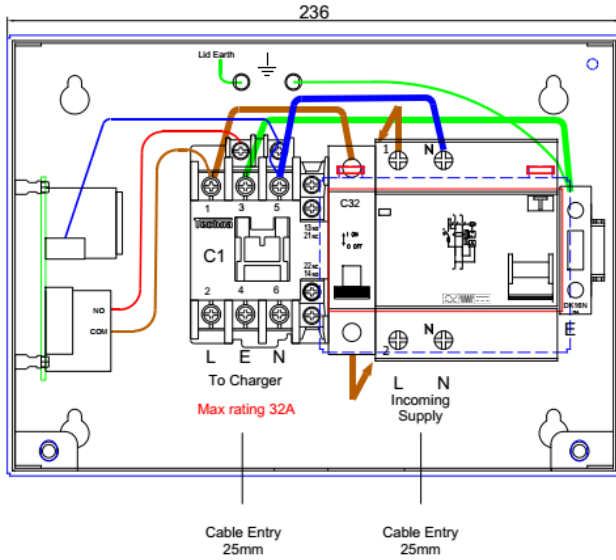
The matt:e **SP-EVCP-B** does not require earth rods or measuring electrodes to function correctly.



Product Features

- Built in matt:e technology
- NO EARTH ELECTRODES REQUIRED
- BS:7671:2018 Amendment 1:2020 compliant
- Suitable for 1 x 32amp load
- Built in Type B RCD and MCB
- Standard 3 Year parts warranty
- Simple wire in wire out connection
- Standard mild steel IP2X enclosure
- Designed and Built in the UK

...Simplifying EV connection



Description	Single-phase Voltage Monitoring and Protection Unit
Input Volts	Nominal input voltage single-phase 230V 50Hz
Max Load	32 amps
Cable Entry Facility	Bottom, 2 x 25mm
Terminal Capacity	10.0mm ²
Dimensions (H x W x D)	169mm x 232 mm x 111mm
Weight	Approximately 3kg
Enclosure	Mild Steel Powder Coated
Ingress Protection	IP2X
Warranty	The matt:e SP-EVCP-B is guaranteed for a period of 3 years from the date of purchase. This warranty is limited to the replacement of faulty components only.

...Simplifying EV connection