

# SP-EVCP-M

## Single-phase Voltage Monitoring and Protection Unit

### Are you installing electric vehicle charge points onto single-phase PME infrastructures?

The **SP-EVCP-M** from matt:e is a simple single connection unit, which allows for the connection of 1 x 32amp single-phase charge point to the existing PME earthing facility.

The unit incorporates our own unique monitoring device which disconnects all poles including CPC in the event of a fault and built in double pole MCB.

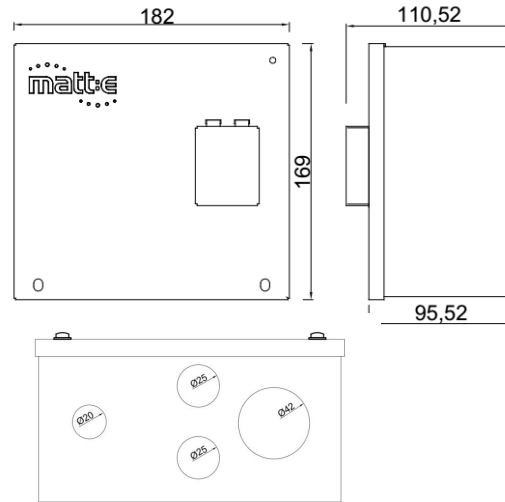
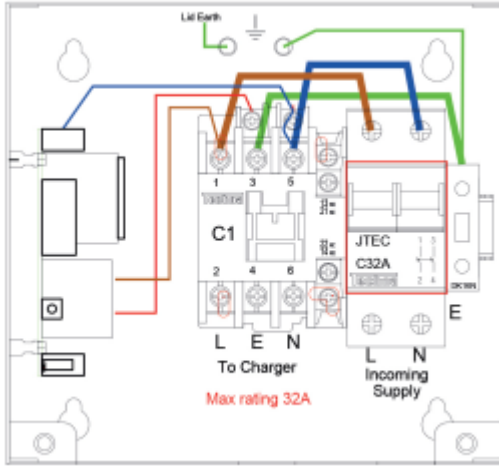
The matt:e **SP-EVCP-M** technology does not require earth rods or measuring electrodes to function correctly.



#### Product Features

- Built in matt:e technology
- NO EARTH ELECTRODES REQUIRED
- BS:7671 2018 Amendment 1 2020 compliant
- Suitable for 1 x 32amp load
- Built in 32amp Double Pole MCB
- Standard 3 Year parts warranty
- Simple wire in wire out connection
- Standard mild steel IP2X enclosure
- Designed and Built in the UK

...Simplifying EV connection



Description	Single-phase Voltage Monitoring and Protection Unit	
Input Volts	Nominal input voltage single-phase 230V 50Hz	
Max Load	32 amps	
Cable Entry Facility	Bottom, 1 x 42mm 2 x 25mm 1 x 16mm	
Terminal Capacity	In	Out
	L/N: 2.5mm <sup>2</sup> -25mm <sup>2</sup>	L/N 2.5mm <sup>2</sup> - 10mm <sup>2</sup>
	E: 2.5mm <sup>2</sup> —16mm <sup>2</sup>	E: 2.5mm <sup>2</sup> - 10mm <sup>2</sup>
Dimensions ( H x W x D )	169mm x 182mm x 111mm	
Weight	Approximately 3kG	
Enclosure	Mild Steel Powder Coated	
Ingress Protection	IP2X	
Warranty	The matt:e <i>SP-EVCP-M</i> is guaranteed for a period of 3 years from the date of purchase. This warranty is limited to the replacement of faulty components only.	

...Simplifying EV connection