

EVU-1-32-TP-3-32-R

Three- phase connection unit with 1 x 32amp TPN and 3 x 32amp single-phase Type A RCBOs

The **EVU-1-32-TP-3-32-R** from matt:e is simple single dedicated connection unit with built in **O-PEN** technology, which allows for the connection of EV charge points to the existing PME earthing facility.

The unit incorporates a 5 pole isolator with built-in UV release that disconnects all poles including CPC in the event of a fault, manually resettable in line with BS: 7671, 2018 Amendment 1 2020 Regulation 722.411.4.1 (iii)

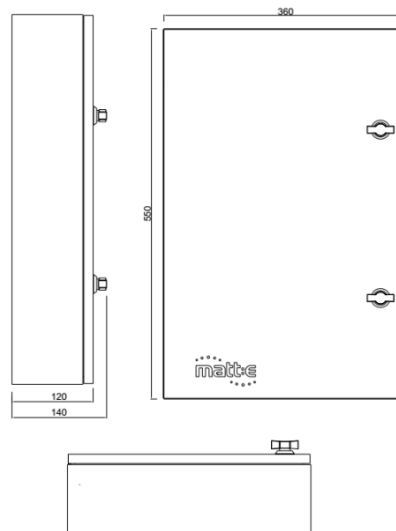
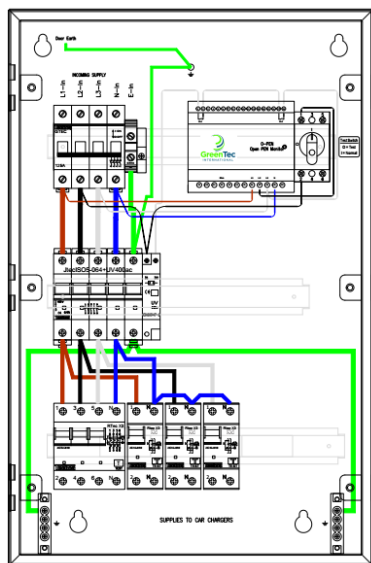
The **O-PEN** technology does not require earth rods or measuring electrodes to function correctly.



Product Features

- Built in O-PEN technology
- Standard mild steel IP4X enclosure
- NO EARTH ELECTRODES REQUIRED
- Phase loss protection
- Built in 5 pole mains isolator with manually resettable UV release
- Standard 1 Year parts warranty
- Simple wire in wire out connection
- With Type A RCBOs
- Designed and Built in the UK

...Simplifying EV connection



Description	Dedicated EV connection centre
Input Volts	Nominal input voltage three-phase 400V 50Hz
Max Load	32 amps per load
Cable Entry Facility	Top and bottom
Terminal Capacity	Supply 50.0 mm ² Load 25.0 mm ²
Dimensions (H x W x D)	550mm x 360mm x 140mm
Weight	Approximately 10kG
Enclosure	Mild Steel Powder Coated
Ingress Protection	IP4X
Warranty	The matte EVU-1-32-TP3-32-R is guaranteed for a period of 1 year from the date of purchase. This warranty is limited to the replacement of faulty components only.

...Simplifying EV connection