

SP-EVCP-T

Single-phase Voltage Monitoring and

Are you installing electric vehicle charge points onto single-phase PME infrastructures?

The **SP-EVCP-T** from matt:e is a simple, single connection unit, which allows for the connection of 1 x 32amp single phase charge point to the existing PME earthing facility.

The unit incorporates our own unique monitoring device which disconnects all poles including CPC in the event of a fault.

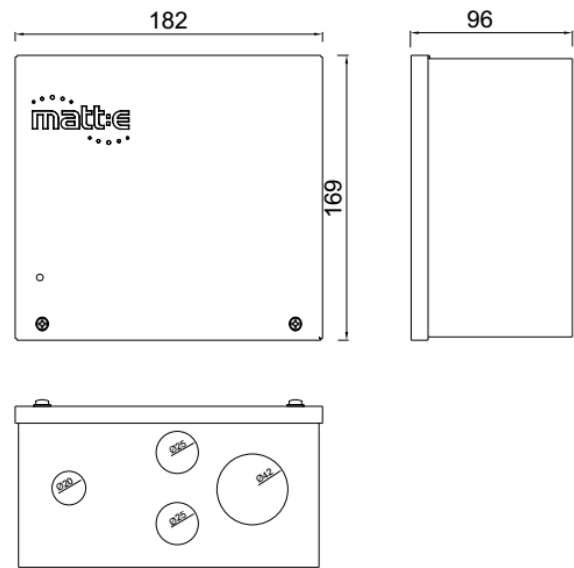
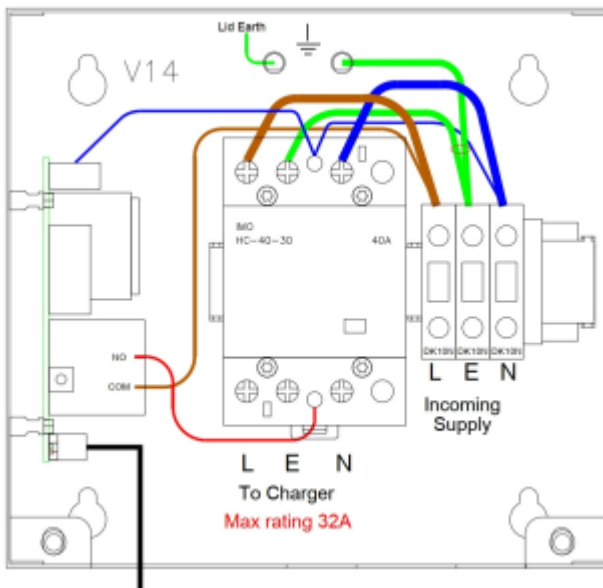
The matt:e **SP-EVCP-T** technology does not require earth rods or measuring electrodes to function correctly.



Product Features

- Built in matt:e technology
- BS 7671 2018 Amendment 1 2020 compliant
- NO EARTH ELECTRODES REQUIRED
- Suitable for 1 x 32amp load
- Standard 3 Year parts warranty
- Simple wire in wire out connection
- Standard mild steel IP2X enclosure
- Designed and Built in the UK

...Simplifying EV connection



| | |
|--------------------------|--|
| Description | Single-phase Voltage Monitoring and Protection Unit |
| Input Volts | Nominal input voltage single-phase 230V 50Hz |
| Max Load | 32 amps |
| Cable Entry Facility | Bottom, 1 x 42mm 2 x 25mm 1 x 16mm |
| Terminal Capacity | 6.0mm ² |
| Dimensions (H x W x D) | 169mm x 182mm x 111mm |
| Weight | Approximately 3kg |
| Enclosure | Mild Steel Powder Coated |
| Ingress Protection | IP2X |
| Warranty | The matt:e SP-EVCP-T is guaranteed for a period of 3 years from the date of purchase. This warranty is limited to the replacement of faulty components only. |

...Simplifying EV connection