

SP-EVCP-RC

Single-phase Voltage Monitoring and protection devices with built-in current limiting

The **SP-EVCP-RC** from matt:e incorporates our unique monitoring device that disconnects all poles including CPC in the event of a broken Neutral fault in line with Regulation 722.411.4.1 (iv) and has the additional functionality for load curtailment in line with Regulation 722.311.201, isolating the charge point from the supply once the house consumption rises above the pre-set limit and automatically restores the power to the charge point when the load falls back within a satisfactory level.

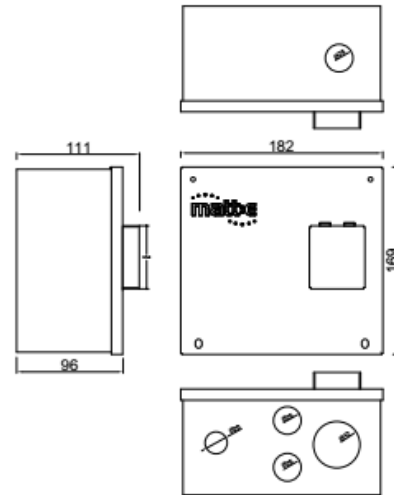
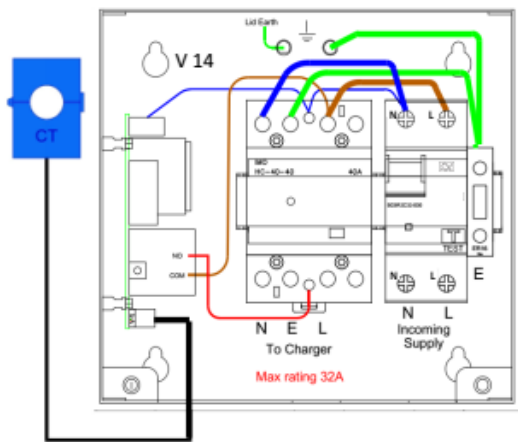
Creating a simple, single connection centre that allows for connection to the existing PME earthing facility without the use of Earth electrodes that saves time during survey and installation while offering a safe alternative for your work force.



Product Features

- Built in matt:e technology
- BS:7671 2018 Amendment 1 2020 compliant
- NO EARTH ELECTRODES REQUIRED
- Load management with hard wired CT, factory set at 60A,80A or 100A
- CT with simple plug and play connection
- Built in 32amp Double Pole Type A RCBO
- Standard 3 Year parts warranty
- Mild steel IP2X enclosure
- Designed and Built in the UK

...Simplifying EV connection



Description	Single-phase Voltage Monitoring and Protection Unit	
Input Volts	Nominal input voltage single-phase 230V 50Hz	
Max Load	32 amps	
Load Management	Pre set at 60A, 80, 100A	
CT Cable Length	1m	
Cable Entry Facility	Bottom, 1 x 42mm 2 x 25mm 1 x 16mm	
Terminal Capacity	In	Out
	L/N: 2.5mm ² -25mm ²	L/N 2.5mm ² - 10mm ²
Dimensions (H x W x D)	169mm x 182mm x 111mm	
Weight	Approximately 3kG	
Enclosure	Mild Steel Powder Coated	
Ingress Protection	IP2X	
Warranty	The matt:e SP-EVCP-RC is guaranteed for a period of 3 years from the date of purchase. This warranty is limited to the replacement of faulty components only.	

...Simplifying EV connection