

EVU-1-63-TP

Three-phase connection unit suitable for 1 x 63A TPN load.

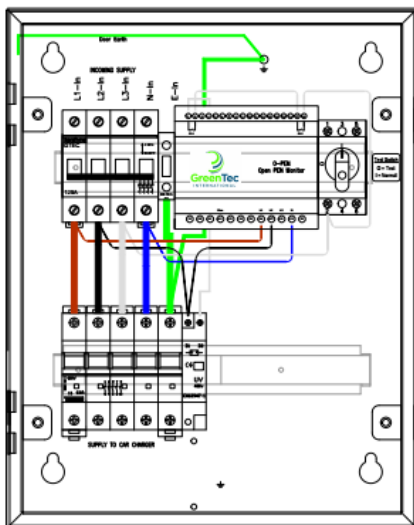
The matt:e EVU connection centres provide a simple to install dedicated EV connection centre, with built in O-PEN® technology, that allows for the connection of EV charge points to the PME earthing facility without the use of earth electrodes.

Helping to facilitate compliance with BS:7671. 2018 Amendment 1, 2020 Regulation 722.411.4.1.(iii).



Product Features and benefits

- Built in O-PEN® technology
- NO EARTH ELECTRODES REQUIRED
- Helps reduce disruptive and costly groundworks
- Removes the risk of striking buried services
- Simple wire in wire out connection
- Phase loss protection
- Suitable for 1 x 63A TPN load
- Mild steel IP4X enclosure
- Standard 1 Year parts warranty



Input Volts	400V 50Hz
Max Load	63amps
Cable Entry Facility	Top and bottom
Terminal Capacity	25.0mm ²
Dimensions (H x W x D)	380mm x 300mm x 120mm
Weight	Approximately 7kg
Enclosure	Mild Steel Powder Coated
Ingress Protection	IP4X
Warranty	1 Year

...Simplifying EV connection