

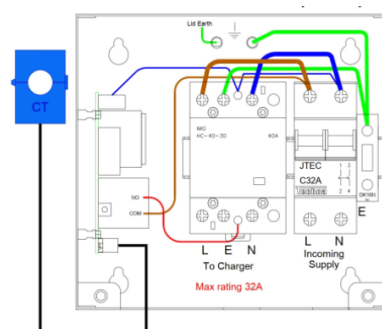
# SP-EVCP-M (Cxx)

## Single-phase Voltage monitoring and protection device with built-in DP 32A MCB

The matt:e SP-EVCP connection centres provide a simple to install dedicated EV connection centre, with unique built-in PEN fault protection, that allows for the connection of EV charge points to the PME earthing facility without the use of earth electrodes.

Helping to facilitate compliance with BS:7671. 2018 Amendment 1, 2020 Regulation 722.411.4.1.(iv).

The units are available with the additional functionality for load curtailment in line with Regulation 722.311.201, isolating the charge point from the supply once the house consumption rises above the pre-set limit and automatically restores the power to the charge point when the load falls back within a satisfactory level.



### Product Features and benefits

- Built in matt:e technology
- NO EARTH ELECTRODES REQUIRED
- Helps reduce disruptive and costly groundworks
- Removes the risk of striking buried services
- Simple wire in wire out connection
- Optional Load management with hard wired CT
- Built in 32A DP MCB
- Suitable for connection direct to tails
- Mild steel IP2X enclosure
- Standard 3 Year parts warranty

Description	Single-phase Voltage Monitoring and Protection Unit
Max Load	32 amps
Terminal Capacity	In L/N: 2.5mm <sup>2</sup> -25mm <sup>2</sup> E: 2.5mm <sup>2</sup> —16mm <sup>2</sup>  Out L/N 2.5mm <sup>2</sup> - 10mm <sup>2</sup> E: 2.5mm <sup>2</sup> - 10mm <sup>2</sup>
Dimensions ( H x W x D )	169mm x 182mm x 111mm
Weight	Approximately 3kG
Enclosure	Mild Steel Powder Coated
Ingress Protection	IP2X

...Simplifying EV connection