

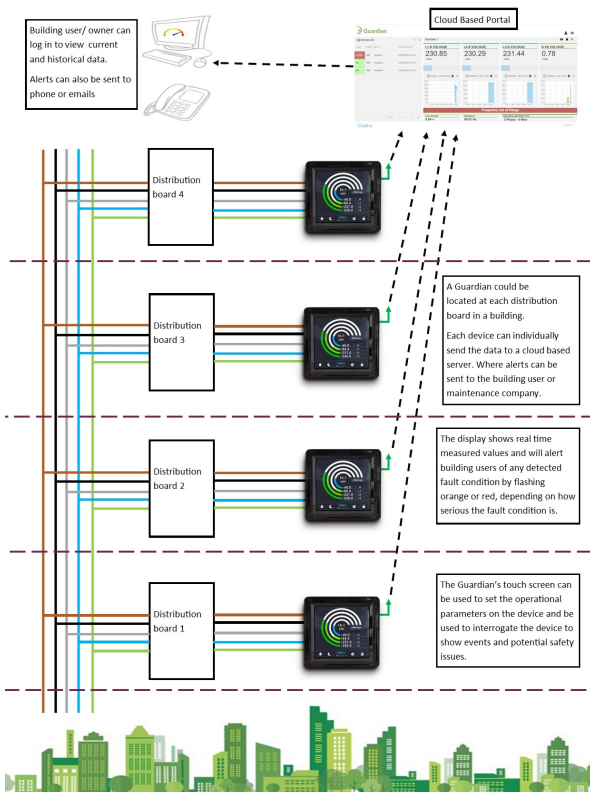
Introducing the Guardian, a revolution in electrical safety!

Incorporating the Patented O-PEN® technology, the Guardian is simply installed next to your existing distribution boards, constantly monitoring the electricity supply to, and the electrical infrastructure of a building. Helping to detect faults and safely isolate or warn the building owner of any potential fault before catastrophic failure occurs.



Including:

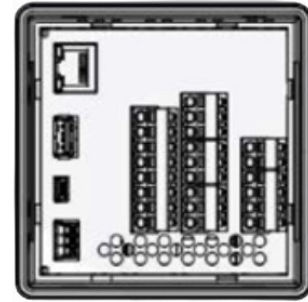
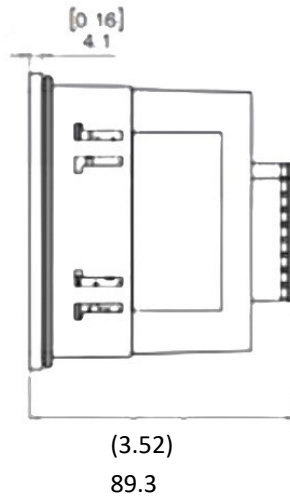
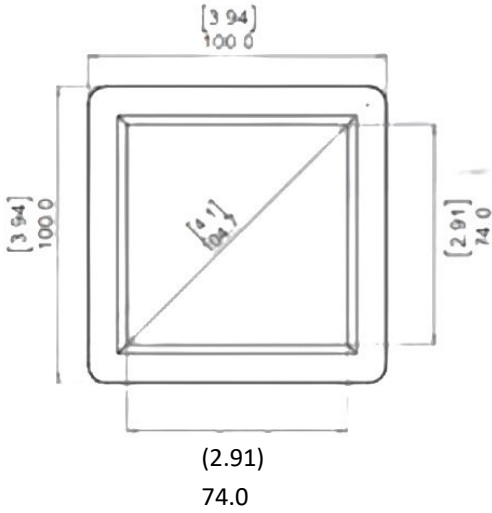
- Loss of Neutral
- Broken PEN conductor, TN-C-S supply
- Voltage on protective earth / ground conductors
- High and low line voltages
- High and low frequency



Product Features and benefits

- Simple installation and commissioning
- Visual display of alerts and status
- Configurable and preset alerts helping to warn the building user before catastrophic failure
- Ethernet connection for cloud based platform
- Option to subscribe to the platform to send alerts via SMS and email.
- Modbus connection for 3rd party building management systems
- Standard 1 Year parts warranty
- 10 Year life expectancy

Dimensions

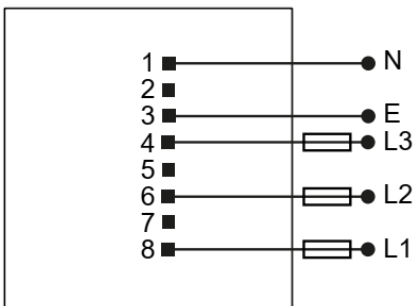


Cut out: 92mm x 92mm
(3.62" x 3.62")
as per DIN IEC 61554

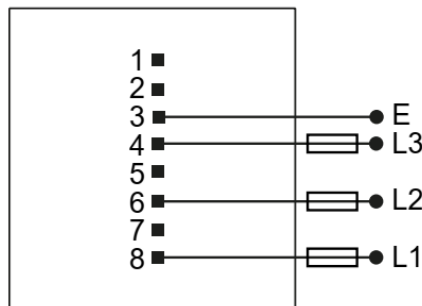
Wiring

WIRING

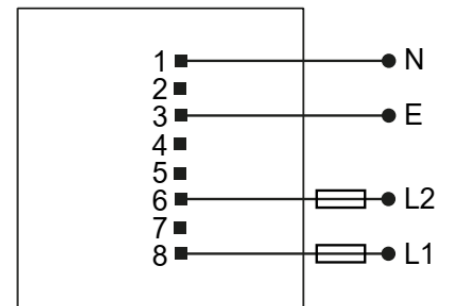
3P4W



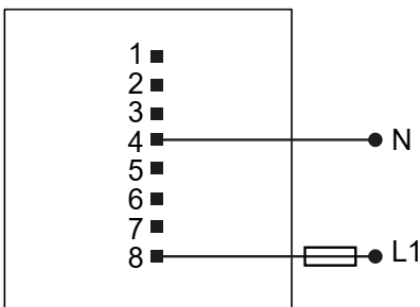
3P3W



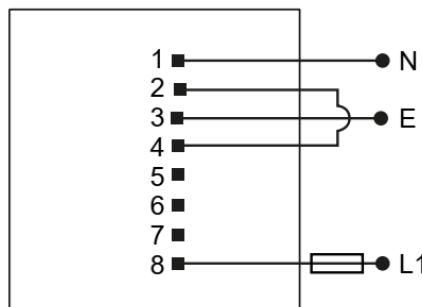
1P3W



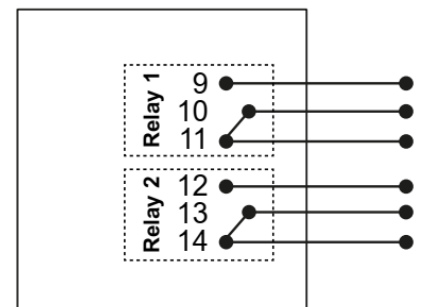
1P2W



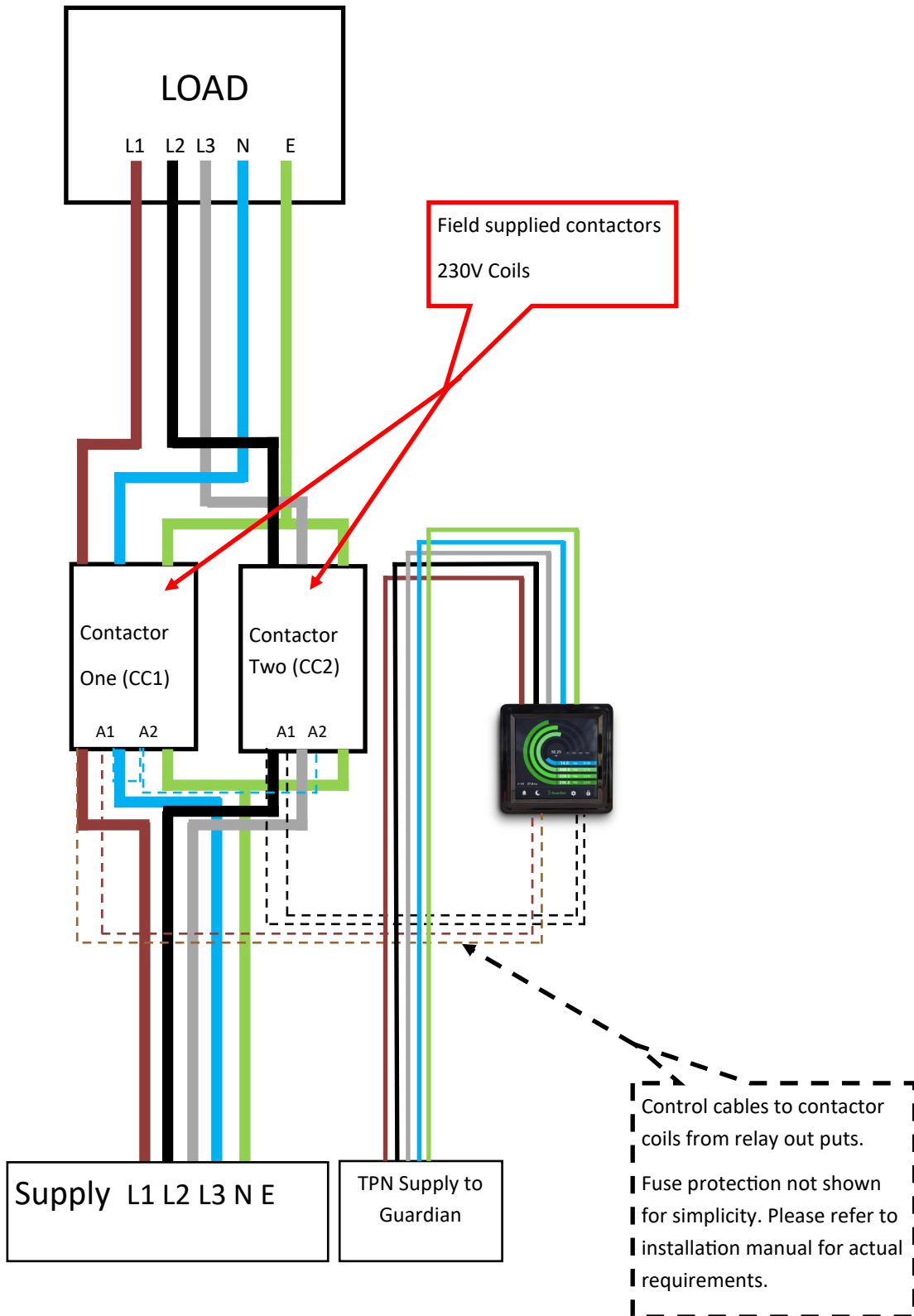
1P2W + E



RELAY OUTPUTS



Connection example for isolating loads through contactors



EN: ENGLISH	DE: DEUTSCHE	FR: FRANÇAIS	ES: ESPAÑOL	IT: ITALIANO	VALUE
Measurement Inputs					
PSU - Line Powered					10W
Single Phase	Einphasen	Monophasé	Monofásico	Monofase	100-277 VAC 50-60Hz
Split Phase	Split-Phase	Biphasé	Bifásico	Bifase	100-277 VAC 50-60Hz
3 Phase	Dreiphasen	Triphasé	Trifásico	Trifase	100-480 VAC 50-60Hz
Outputs					
Relay Contacts	Relaiskontakte	Coordonnées du relais	Contactos de relé	Contatti relè	277V AC / 5A Max 30V DC / 5A Max
Connections					
Type	Typ	Type	Tipo	Tipo	Spring Clamp
Wire type	Draht-Typ	Type de câble	Tipo de cable	Tipo di filo	Copper Solid or Stranded
Min. cable temperature rating	Min. Temperaturfestigkeit	Température de fonctionnement mini	Clasificación de temperatura mín.	Valore temperatura min.	65°C (149°F)
Wire strip length	Abisolierlänge	Longueur de dénudage des câbles	Largo de pelado del cable	Lunghezza striscia filo	6.5mm to 7mm (0.26" to 0.28")
Wire gauge	Drahtstärke	Section des câbles	Calibre del cable	Diametro dei cavi	0.8mm ² - 3.3mm ² (18AWG to 12AWG)
Environment					
Temperature - operating	Betriebstemperatur	Température de fonctionnement	Temperatura - funcionamiento	Temperatura - funzionamento	-20°C to +60°C (-4°F to +140°F)
Temperature - storage	Lagertemperatur	Température de stockage	Temperatura - almacenamiento	Temperatura - conservazione	-20°C to +70°C (-4°F to +158°F)
Altitude	Betriebshöhe	Altitude	Altitud	Altitudine	2000 metres
Relative Humidity (non-condensing) - Continuous	Relative Luftfeuchtigkeit (nicht kondensierend) - Permanent	Hygrométrie permanente (sans condensation)	Humedad relativa (sin condensación) - Continua	Umidità relativa (senza condensa) - Continua	1 - 85 %
Measurement category	Messkategorie	Catégorie de mesure	Categoría de medición	Categoria di misura	II
Overvoltage category (IEC664)	Überspannungskategorie (IEC664)	Catégorie de surtension (CEI664)	Categoría de sobretensión (IEC664)	Categoria di sovratensione (IEC664)	II
Pollution Degree (IEC664)	Entstörgrad (IEC664)	Niveau de pollution (CEI664)	Grado de contaminación (IEC664)	Grado di inquinamento (IEC664)	2
IP rating (from the front)	Schutzklasse (an der Vorderseite)	Indice IP (face avant)	Clasificación IP (al frente)	Valore IP (dalla parte anteriore)	IP20



This is an open type device intended for building in.